

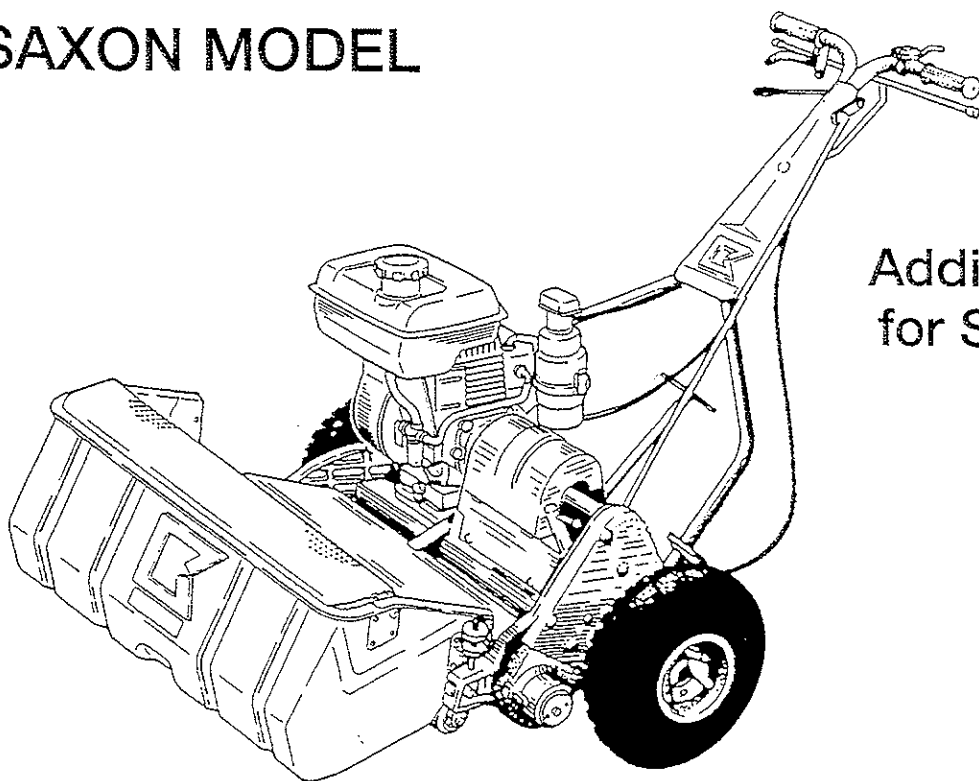
GREEN MOWER
LM22GF
LM26GF

TEERING GROUND MOWER
LM26TF

BARONNESS

LAWN MOWER

SAXON MODEL

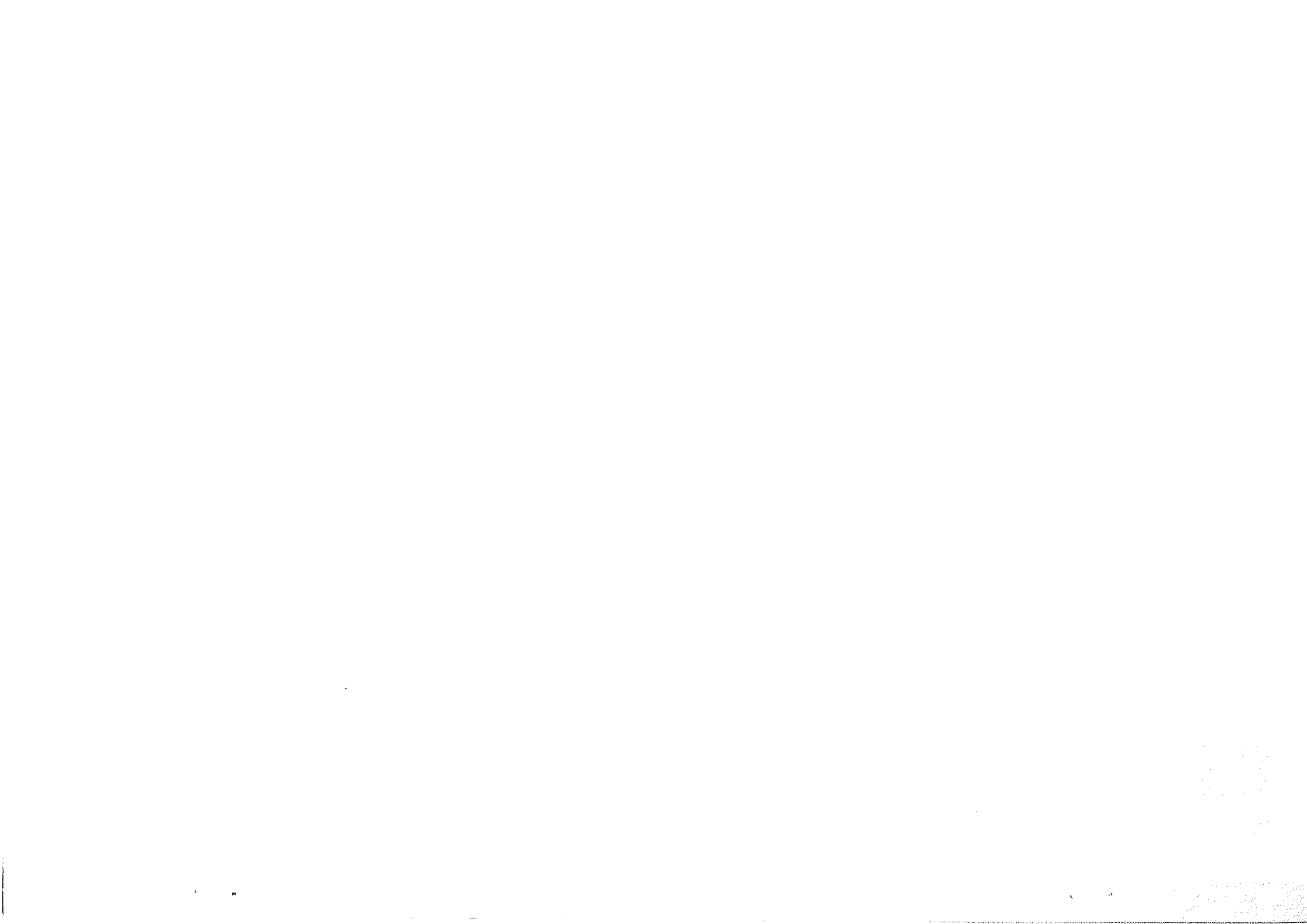


Additional Manual & Parts Catalog
for Saxon Model

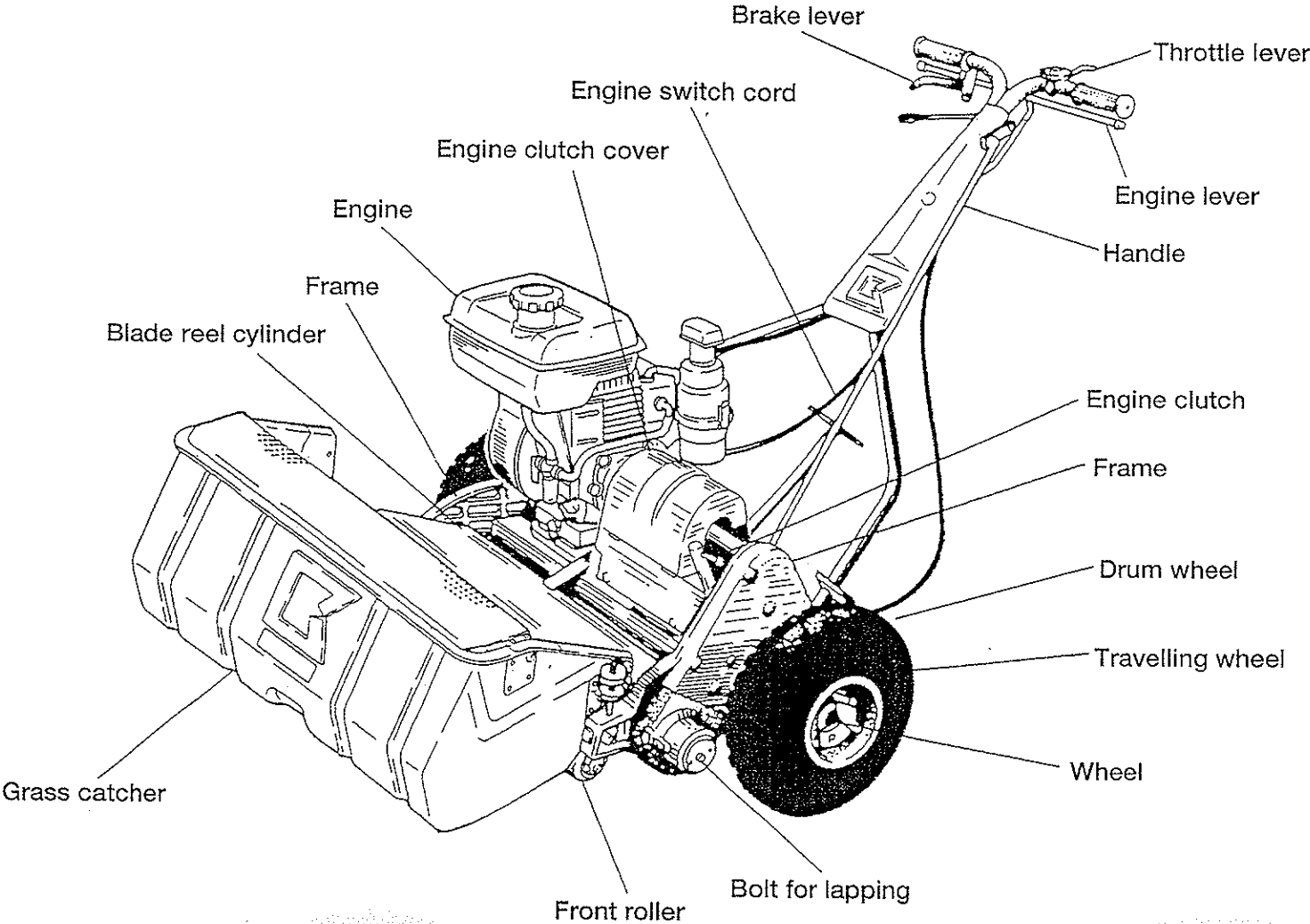
2000 update.

Read this manual before using the machine.

BARONNESS



1. Part names

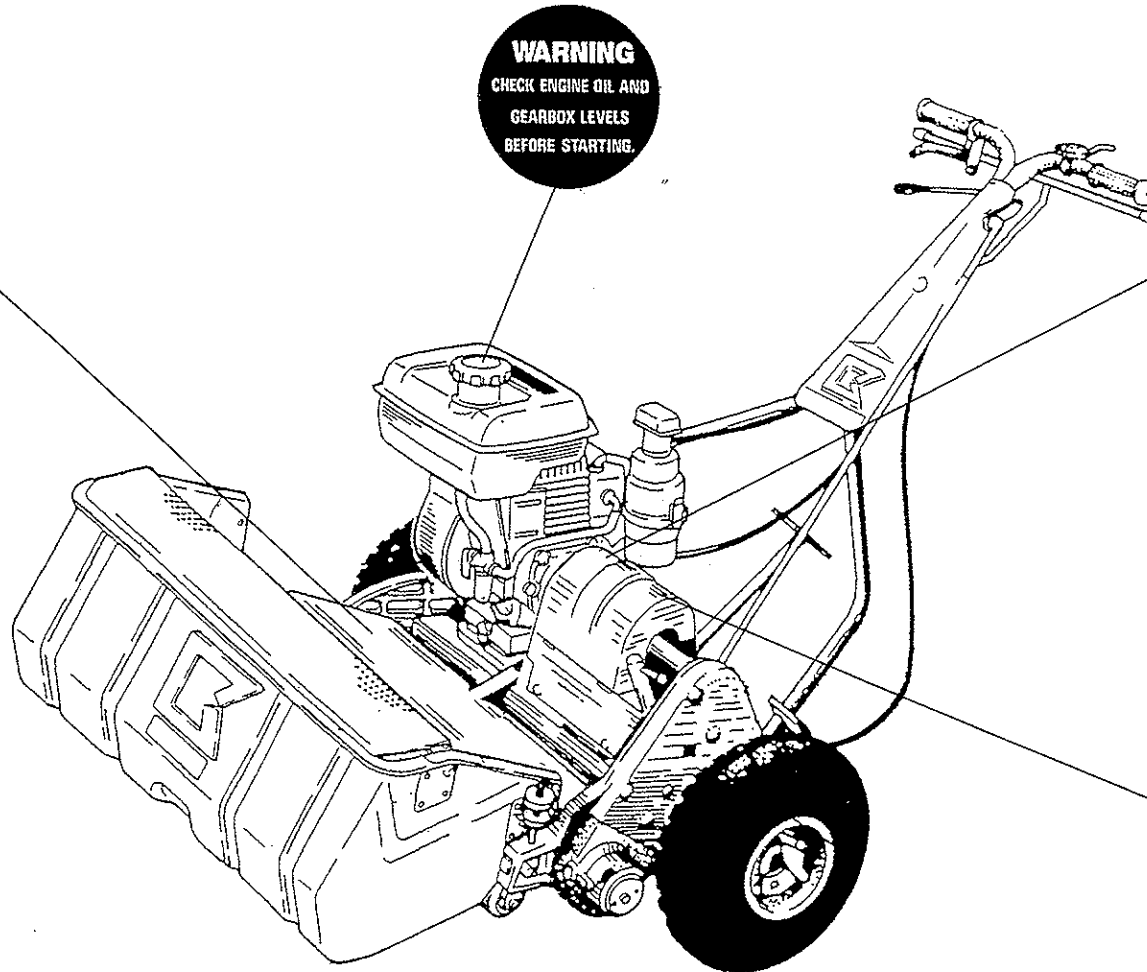


Location of labels

DANGER
KEEP HANDS
& FEET AWAY



WARNING
CHECK ENGINE OIL AND
GEARBOX LEVELS
BEFORE STARTING.



SAFETY INSTRUCTIONS

- (1) Know your controls. Read the owner's manual carefully. Learn how to stop the engine quickly in any emergency.
- (2) Before starting the engine, ensure that all guards are in position and gear lever is in neutral and clutch lever in neutral.
- (3) Extinguish all naked flames and cigarettes. Switch off engine before filling with petrol. Avoid spillage.
- (4) Keep spectators clear and hands and feet away from moving parts at all times.
- (5) When operating on sloping or undulating ground, take extra care that you have complete control of the machine and that you do not exceed an angle of 30°.
- (6) Switch off engine before cleaning, oiling or adjusting the machine. Check for loose and missing bolts daily.
- (7) Do not mow whilst people, especially children or pets, are in the area.
- (8) Do not operate the engine in a confined space where exhaust fumes (carbon monoxide) can collect.
- (9) Stop engine whenever you leave the mower.
- (10) Do not allow children or people unfamiliar with these instructions to use the mower.
- (11) Never operate this machine wearing loose clothing particularly if it has drawstrings which could wrap around or get caught in the machinery.

HEALTH & SAFETY WARNING

IT IS STRONGLY ADVISED THAT
THE OPERATORS OF THIS MACHINE
WEAR BOTH GOGGLES AND EAR
DEFENDERS FOR THEIR PROTECTION

5. Inspection before use

5-1. Greasing



The transmission and intermediate transmission gears are equipped with needle bearings. Grease them every 10 hours. Shortage of grease will cause heat generation and a grating sound.

5-2.

Replenish the engine with engine oil. (A correct level will be shown when the engine is placed horizontally.) Change engine oil 5 hours after the initial operation, and every 50 hours from the second time onward. Oil : SAE30.

6. Fastening of each portion

Many parts are fastened by bolts. Bolts and nuts may be loosened some time after initial operation. Fasten them to the specified torque.

Appropriate fastening torque N·m(kgf·cm)



	Normal bolt	Heat treated bolt
M6	8 (80)	
M8	18 (180)	36 (360)
M10	36 (360)	72 (720)
M16	1.5-pitch left-hand thread: 36 (360)	

7. Engine starting sequence



7-1. Before starting engine

Carefully read the gasoline engine operation manual before starting the engine. Check the ON/OFF positions of the engine switch lever at the front of the handle. Set the engine switch lever in the ON position, set all moving parts in the neutral position. Check for safety - covers are in position and not damaged and there is no person around the machine - before starting the engine. Do not start the engine indoors without an appropriate ventilator.

7-2. Starting the engine

- (1) Set the clutch lever in the OFF position. (See 9-2.)
- (2) Set the throttle lever in the high-speed  position.
- (3) Grasp the engine lever together with the handlebar. 
- (4) Set the strainer lever in the open position.
- (5) Pull the choke lever and pull the recoil starter, and the engine will start.
- (6) Return the choke lever.

7-3. Stopping the engine (Remember the method for stopping the engine in an emergency.)

- (1) Set the clutch lever in the OFF position.
- (2) Set the throttle lever in the slow-speed  position. 
- (3) Set the strainer lever in the close position.
- (4) Release the engine lever.
- (5) Release the engine lever immediately in an emergency.

7-4. Fuel supply Gasoline for automobiles

- (1) Keep flame etc. away from the engine when supplying fuel. Stop the engine outdoors and allow it to cool before supplying fuel.
- (2) Keep the machine clean at all times to prevent deposition of dust, grease, or oil.

7-5. When leaving the machine

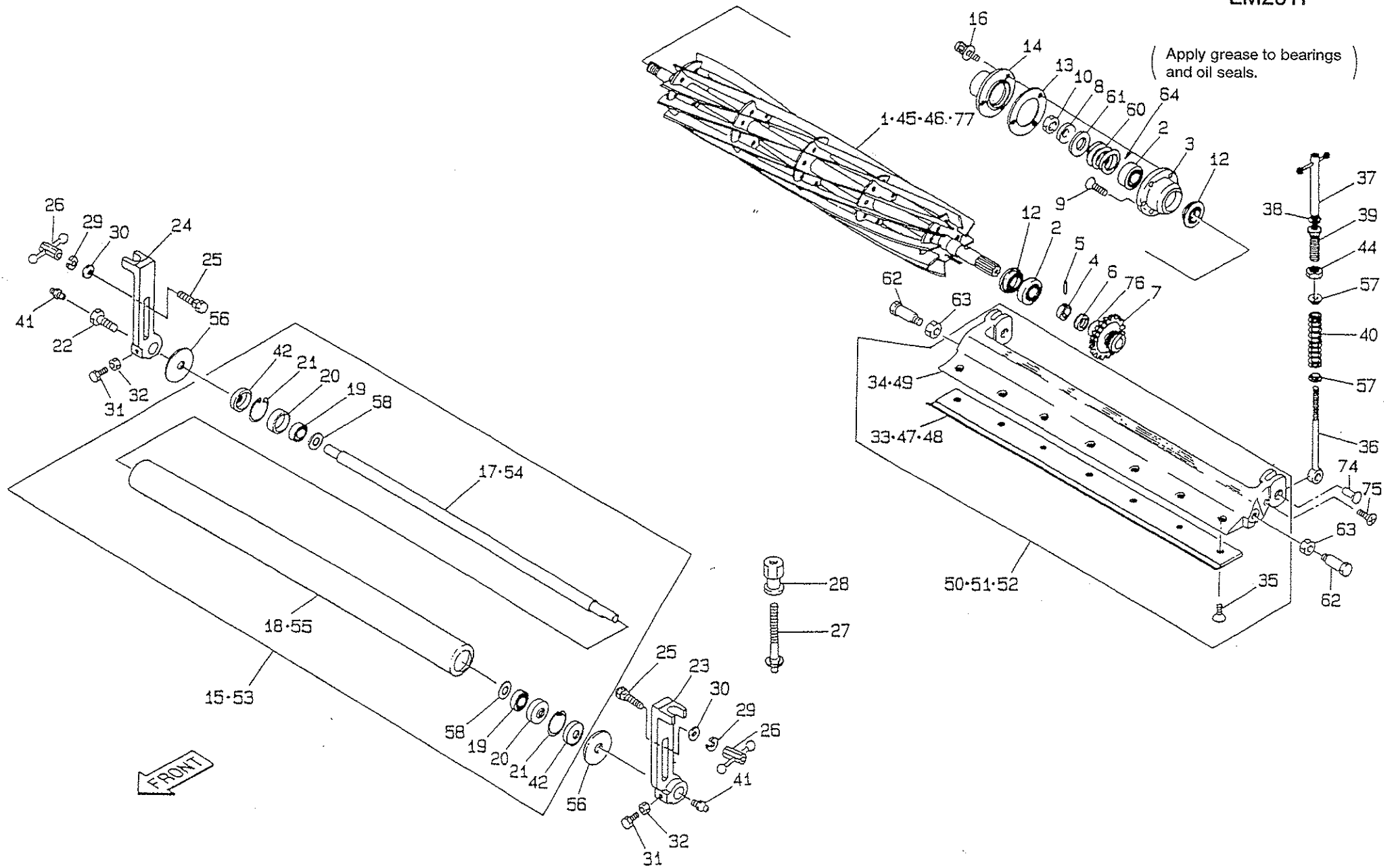
Park the machine on a flat place. Check that the engine switch lever is in the OFF position. Do not park the machine on a slope.

8. Machine operation

- ### 8-1.
- Check that each portion - especially the brake and clutch - operates satisfactorily before starting machine operation. Make sure that the machine can be stopped immediately at any time. Exercise care so that you and people around the machine will not be injured.

3. Blade reel cylinder/front roller/bottom blade

LM22GF、26GF
LM26TF



Catalog No.	Code No.	Part Name	Qty /Unit	Common Part	Retail Price
3-1	K 2 8 0 2 2 0 0 9 F R	Blade reel cylinder 557-9	1		
3-2	K 0 6 3 1 3 0 2 0 4 0	Tapered roller 30204JRP6	2	○△	
3-3	K 6 9 0 3 0 0 0 0 6 2	Reel housing	1	○	
3-4	K 6 2 1 3 0 0 0 0 4 0	Left bearing collar	1	○△	
3-5	K 0 3 1 1 0 4 5 2 5 0	4.5 needle roller 25.8	1	△	
3-6	K 5 3 0 0 0 0 0 2 8 2	Pinning cover	1	○△	
3-7	L M 2 2 G F - 0 1 0 7 Z 0	44-tooth gear	1		
3-8	K 0 2 1 0 1 6 0 0 0 1	16 disc spring L		△	
3-9	K 0 0 4 1 0 8 0 2 5 2	8 + countersunk head screw 25	3	○	
3-10	K 0 1 8 5 1 6 0 0 0 2	16 left-hand threaded nut 3P1.5	1	△	
3-11					
3-12	K 0 8 3 0 0 0 0 0 2 0	Oil seal 254210	2	○△	
3-13	K 4 0 1 1 0 0 0 0 7 0	Reel packing	1	○	
3-14	K 6 9 0 2 0 0 0 0 1 2	Reel shaft cover	1	○	
3-15	K 8 0 2 1 0 0 0 0 1 0	Front roller Ass'y 577	1	○	
3-16	K 0 0 0 6 0 8 0 2 0 2	8 bolt 20S	3	○△	
3-17	K 6 1 3 1 0 0 0 1 2 2	Front roller shaft 596	1	○△	
3-18	K 7 4 0 0 0 0 0 1 2 D	60 roller 577	1	○	
3-19	K 0 6 1 3 0 6 2 0 2 0	Bearing 62022NSEC3	2	○△	
3-20	K 0 8 6 1 0 0 0 0 3 0	Oil seal 6202	2	○△	
3-21	K 0 4 0 2 0 4 2 0 0 1	Stop ring R42	2	○△	
3-22	K 6 0 8 3 0 0 0 0 4 2	15 extension pin 19	1	○△	
3-23	K 6 8 0 4 0 0 0 0 2 0	Left roller bracket	1	○	
3-24	K 6 8 0 4 0 0 0 0 1 0	Right roller bracket	1	○	
3-25	K 0 0 2 5 0 8 0 3 5 2	8 square-base round-head bolt 35	2	○△	
3-26	K 1 3 3 0 0 0 0 0 5 0	Screw with handle P1.25	2	○△	
3-27	K 7 9 0 0 0 0 0 0 5 0	Roller adjusting screw	2	○△	
3-28	K 6 0 8 4 0 0 0 0 6 3	Roller adjuster	2	○△	
3-29	K 0 2 1 3 0 8 0 0 0 1	8 disc spring washer 1H	2	○△	
3-30	K 5 0 1 2 0 0 8 1 8 2	2SPCC washer 818	2	○△	
3-31	K 0 0 0 0 6 0 2 0 2	6 bolt 20	2	○△	
3-32	K 0 1 0 0 0 6 0 0 0 2	6 nut	2	○△	
3-33	K 2 5 1 1 0 0 0 1 5 0	22G bottom blade No.1	1	△	
3-34	L M 2 2 G F - 0 5 0 8 Z R	Bottom blade base	1		
3-35	K 0 0 7 1 0 0 0 2 2 2	6 heat treated countersunk head screw 12	7	○△	

○: Parts common to LM22GE △: Parts common to LM55GD ※: Parts of LM26GF ☆: Parts of LM26TF

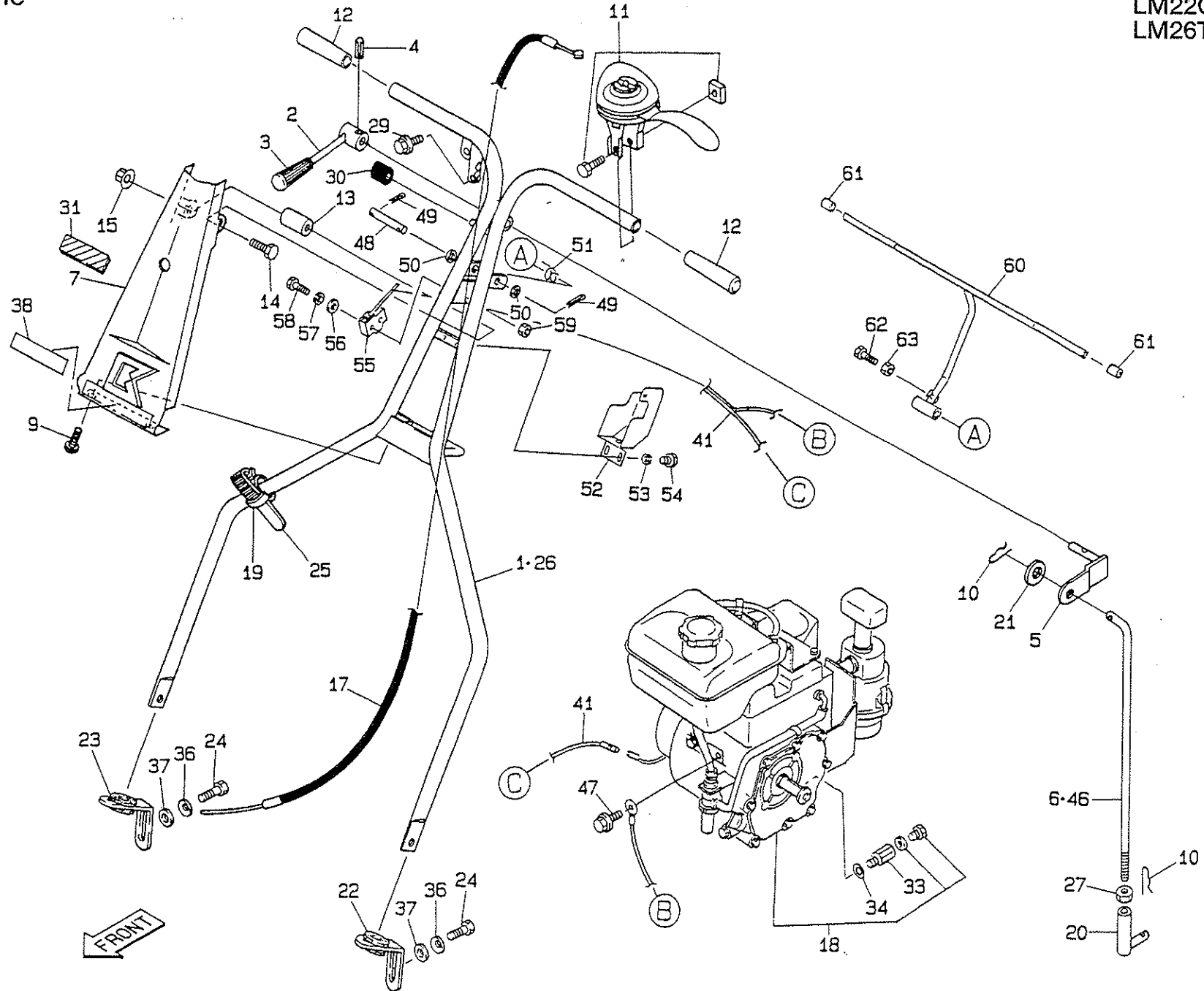
Catalog No.	Code No.	Part Name	Qty /Unit	Common Part	Retail Price
3-36	K 6 5 1 1 0 0 0 0 6 2	Cutter adjusting bolt 205	2	△	
3-37	K 1 3 3 0 0 0 0 0 4 0	Cutter adjuster Ass'y	2	○△	
3-38	K 5 0 1 1 0 1 0 1 6 2	1SPCC washer 1016	2	○△	
3-39	K 6 0 8 1 0 0 0 0 3 2	Threaded pipe	2	○△	
3-40	K 1 0 0 0 0 0 0 2 8 8	5 compression spring 25116	2	○△	
3-41	K 1 4 4 0 0 0 0 0 1 2	Grease nipple	2	○△	
3-42	K 0 8 6 1 0 0 0 0 2 0	Oil seal TA1542.38	2	○△	
3-43					
3-44	K 0 1 6 0 0 0 0 1 2 2	Cutter adjusting lock nut	2	○△	
※3-45	K 2 8 0 2 6 0 0 9 F R	Blade reel cylinder 577-9	1		
☆3-46	K 2 8 0 2 6 0 0 7 F R	Blade reel cylinder 577-7	1		
※3-47	K 2 5 1 1 0 0 0 1 7 0	26G bottom blade No.1	1		
☆3-48	K 2 5 1 0 0 0 0 1 4 0	5 bottom blade 62.5-648.4	1		
※3-49	L M 2 6 G F - 0 5 0 8 Z R	Bottom blade base	1		
3-50	L M 2 2 G F - 0 5 0 2 Z 0	Bottom blade COMP	1		
※3-51	L M 2 6 G F - 0 5 0 2 Z 0	Bottom blade COMP	1		
☆3-52	L M 2 6 T F - 0 5 0 2 Z 0	Bottom blade COMP	1		
※3-53	K 8 0 2 1 0 0 0 0 2 0	Front roller Ass'y 666	1		
※3-54	K 6 1 3 1 0 0 0 1 3 2	Front roller shaft 685	1		
※3-55	K 7 4 0 0 0 0 0 0 6 D	60 roller 666	1		
3-56	K 5 0 5 1 0 1 5 4 7 0	1C5191P washer 1547	2	○△	
3-57	K 6 2 0 6 0 0 0 0 5 2	Spring receiver	4	○△	
3-58	K 5 0 5 1 0 1 5 2 8 0	1C5191P washer 1528	2	○△	
3-59					
3-60	K 1 0 0 0 0 0 0 7 4 0	3.2 compression spring 26.922	1	△	
3-61	K 5 0 1 2 0 1 6 2 8 2	2SPCC washer 1628	1	△	
3-62	K 6 0 8 2 0 0 0 0 1 0	Cutter pin R	2	○△	
3-63	K 0 1 6 0 0 0 0 1 1 3	Lock nut	2	○△	
3-64	K 2 9 3 1 0 0 0 0 0 0	EXCELITE EP No.2	40 g		
3-74	K 6 0 3 0 1 0 0 2 3 2	10 flat head pin 23	2	△	
3-75	K 0 0 4 1 0 6 0 1 2 2	6 + countersunk head screw 12	2		
3-76	K 0 8 8 0 0 1 8 0 0 0	O-ring P18	1		

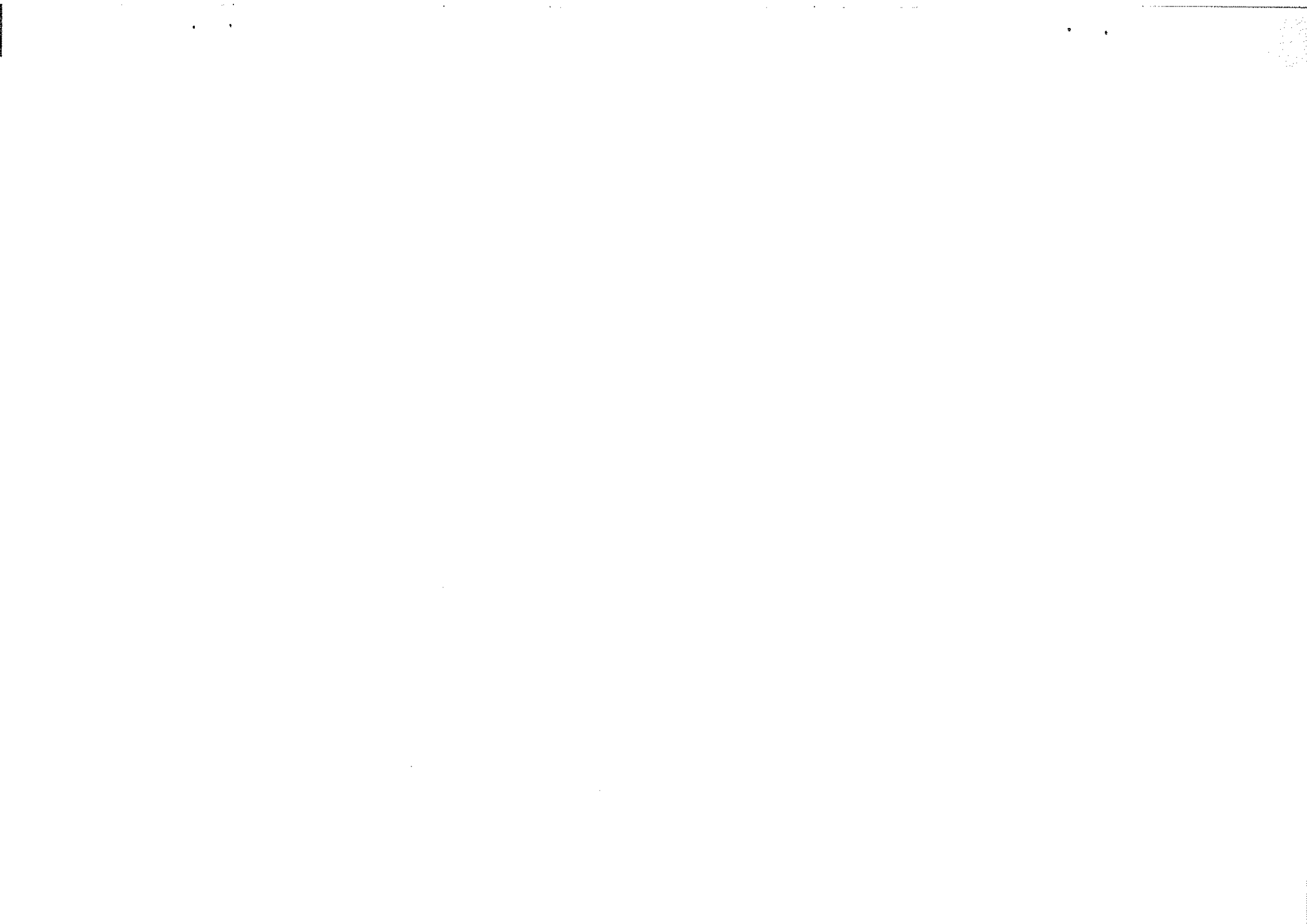
3. Blade reel cylinder/front roller/bed knife


LM22GF、26GF
LM26TF

5. Handle/engine

LM22GF、26GF
LM26TF





 **KYOISHA CO., LTD.**
Turf Care Machinery
Tel : (0533) 84-1221
Fax: (0533) 84-1220

Head Office
1-26, Miyuki-cho, Toyokawa,
Aichi-Pref. 442-8530 Japan.